

Product: KLUDI BALANCE concealed thermostatic bath/shower mixer, trim set with functional unit

Ref.: 52830..75

Product description

concealed thermostatic bath/shower mixer
 trim set with functional unit
 with ceramic shut-off valve
 and adjustment, as a rotary valve
 hot water safety device 38 °C
 without pre-installation set
 KLUDI FLEXX.BOXX 88011
 noise group II, P-IX 18444/IICC

Finishes:
 05 chrome
 91 chrome/white

Product picture

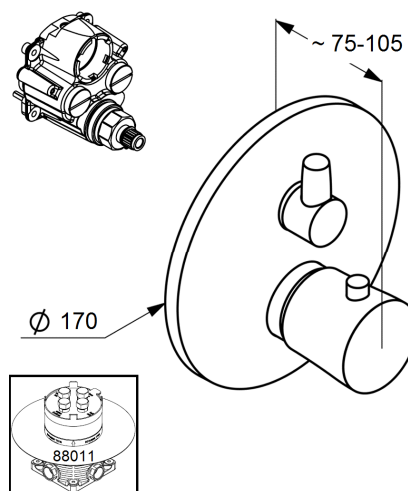


Advertisement

- * KLUDI GmbH & Co. KG KLUDI BALANCE concealed thermostatic bath/shower mixer, trim set with functional unit item no. 52830..75
- ** chrome or chrome/white plated plastic / brass
- *** trim set with concealed mixer THM for FLEXX.BOXX DN 20 item no. 88011

concealed thermostat bath/shower mixer, manufacturer KLUDI GmbH & Co. KG type KLUDI BALANCE concealed bath/shower mixer with trim set item no. 52830..75, trim set with functional unit THM for pre-installation set KLUDI FLEXX.BOXX DN 20 item no. 88011, finishes 05 = chrome plated / 91 = chrome/white plated, with ceramic shut-off valve and adjustment as a rotary valve, cover plate chrome plated plastic Ø 170 mm, temperature control handle with hot water safety device 38°C, handles chrome or chrome/white plated plastic / brass, without extension set item no. 7300600-00, without pre-installation set FLEXX.BOXX item no. 88011, noise level DIN 4109 noise group II, P-IX 18444/IICC
 Optimal function only in combination with KLUDI products,

Dimensional drawing



Flow rate diagram

