

**Product:** KLUDI ADLON bath and shower mixer DN 15

**Ref.:** 51524 .. 20

**Product description**

bath and shower mixer DN 15  
 cross handles  
 four hole tiles deck mounted installation  
 flow class BB  
 Cascade aerator M 28 x I  
 ceramic headparts 180°  
 automatic diverter: shower to bath tub  
 protected against back flow  
 retractable KLUDI ADLON handshower  
 flexible high pressure supply tubes  
 G 1/2 x G 1/2 x 400 mm  
 projection 220 mm  
 noise group I

Finishes:  
 05 chrome  
 45 permabrass

**Advertisement**

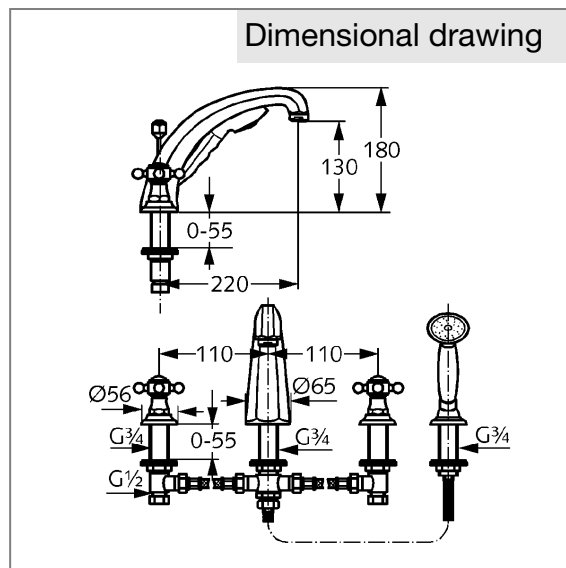
- \* KLUDI GmbH & Co KG KLUDI ADLON bath and shower mixer item no. 51524..20
- \*\* ceramic headparts 180 °, DIN EN 200
- \*\*\* brass, DIN 50930-6

bath and shower mixer, manufacturer KLUDI GmbH & Co KG KLUDI ADLON bath and shower mixer item no. 51524..20, DN 15, finishes: 05 = chrome / 45 = permabrass plated brass, ceramic headparts 180 °, type: bath and shower mixer 4 hole deck mounted DN 15, cascade aerator M 28 x I BB, noise level DIN EN 4109 group I, without report no., nozzle height 130 mm, nozzle projection 220 mm, flexible high pressure supply tubes with DVGW / KIWA / WRAS / CSTB 1/2 x 1/2 inch x 400 mm with metal body, protected against back flow DIN EN 1717, automatic diverter: shower to bath tub, retractable KLUDI ADLON handshower chrome plated brass/ceramic, shower spray, shower hose with W270/KTW-A 1/2 inch x 15 x 1 length 2000 mm, shuft for shower hose, flow class BB (max. 0,42 l/s), cross handles, for pressure type water heater, for continuous line heater, PN 10, without rigid pipes item no. 16203.. (10 mm x 500 mm) or flexible high pressure supply tubes 6115000-00 G 1/2 x G 1/2 x 600 mm, PN 10,

**Product picture**



**Dimensional drawing**



**Flow rate diagram**

