

Product: KLUDI ADLON basin mixer DN 8

Ref.: 51012 .. 20

Product description

basin mixer DN 8
 cross handles
 single hole mounted
 flow class A
 Cascade aerator M 24 x I
 ceramic headparts 180°
 pop up waste 1 1/4 inch
 rapid installation set
 copper tubes Ø 10 mm
 noise group I
 KIWA

Finishes:
 05 chrome
 45 permabrass

Product picture

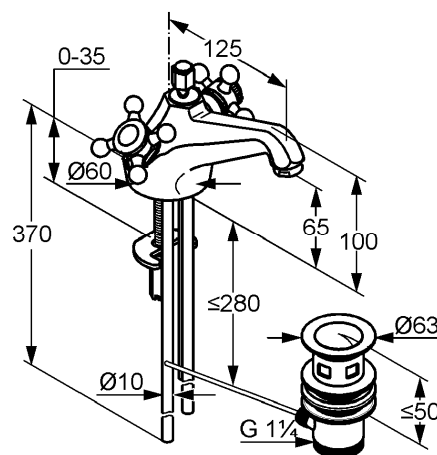


Advertisement

- * KLUDI GmbH & Co KG KLUDI ADLON basin mixer item no. 51012..20
- ** ceramic headparts 180°, DIN EN 200 // KIWA appr.
- *** brass, DIN 50930-6

basin mixer, manufacturer KLUDI GmbH & Co KG KLUDI ADLON basin mixer item no. 51012..20, DN 8, finishes: 05 = chrome / 45 = permabrass plated brass, ceramic headparts 180°, type: basin mixer DN 8, cascade aerator M 24 x I, noise level DIN EN 4109 group I, without report no., KIWA approval, nozzle height 65 mm, copper tubes Ø 10 mm length 370 mm, nozzle projection 125 mm, pop up waste 1 1/4 inch, cross handles, flow class A (max. 0,25 l/s), rapid installation set, overall length 100 mm, for borehole diameter Ø 28 mm, for pressure type water heater, for continuous line heater, PN 10

Dimensional drawing



Flow rate diagram

