

**KLUDI A-QA Thermostatic Dual Shower System
DN 15**

Ref.: **4909505-00**

Product description

Thermostatic Dual Shower System DN 15
with horizontally and vertically adjustable riser pipe
wall fastening
temperature control handle with hot water safety device 38°C
with ceramic shut-off valve as rotary valve 90°/90°
outlet hand shower (below) rotate the handle to the rear
outlet head shower (up) rotate the handle forward
protected against back flow
shower holder vertically and horizontally adjustable
with KLUDI SUPRAFLEX SILVER shower hose 1/2 x 1/2 inch x 1600 mm
with KLUDI A-QA swivel head shower KB 3
with KLUDI A-QA hand shower 1 S, with one spray pattern
with fixing kit, with dirt-catcher sieve

Finishes:
05 chrome

Product:

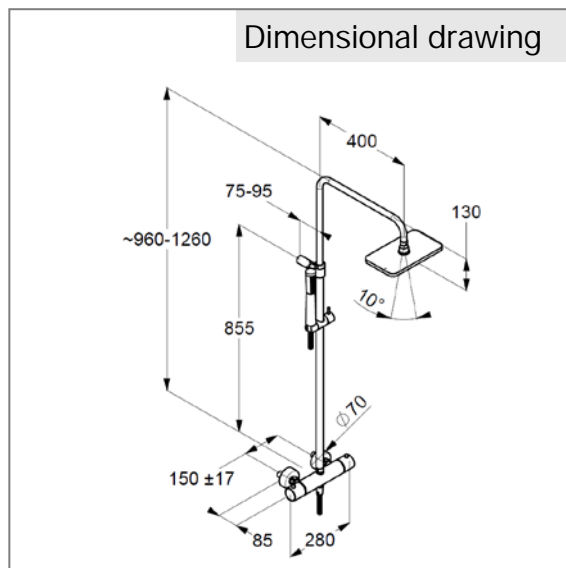
Product picture



Advertisement

thermostatic shower mixer, manufacturer KLUDI GmbH & Co. KG
KLUDI A-QA item no.4909505-00
type: Thermostatic Dual Shower System, DN 15 / PN 10, chrome plated brass/plastic,
ceramic shut-off valve as a rotary valve 90°/90°, solid handle chrome plated plastic,
temperature control handle with hot water safety device 38 °C, with dirt-catcher sieve
and backflow preventer, flow rate hand shower 15,5 l/min at 3 bar, flow rate head
shower 22 l/min at 3 bar, protected against back flow DIN EN 1717, concealed S
unions 1/2 x 3/4 inch, with KLUDI A-QA swivel head shower KB 3 with cleaning sys-
tem, connection 1/2 inch, with KLUDI A-QA hand shower 1 S, with cleaning system,
with one spray pattern, chrome plated plastic, connection 1/2 inch, with KLUDI
SUPRAFLEX SILVER shower hose 1/2 x 1/2 inch x 1600 mm, metal-effect (silver),
outlet to head shower (up) with horizontally and vertically adjustable rigid shower
riser, chrome plated, with slider horizontally and vertically adjustable, with wall sock-
et, with fixing kit
dimensions: height: 960-1260 mm, projection: 400 mm, head shower: 246x142 mm,
hand shower: 220 mm, width thermostatic mixer: 280 mm
for pressure type water heater, for continuous line heater

Dimensional drawing



Flow rate diagram

