

Product: **KLUDI MX Multi single lever sink mixer DN 10**

Ref.: **399070562**

Product description

Multi single lever sink mixer DN 10
 open ring lever
 single hole mounted
 flow rate 5 l/min
 flow straightener M 24 x I
 ceramic cartridge with hot water safety device
 swivel spout (360°)
 rapid installation set
 one connection for washing-machine or dishwasher
 flexible high pressure supply tubes G 3/8
 for use with displacement heaters
 noise group I
 PA-IX 18646/I

Finishes:
 05 chrome

Advertisement

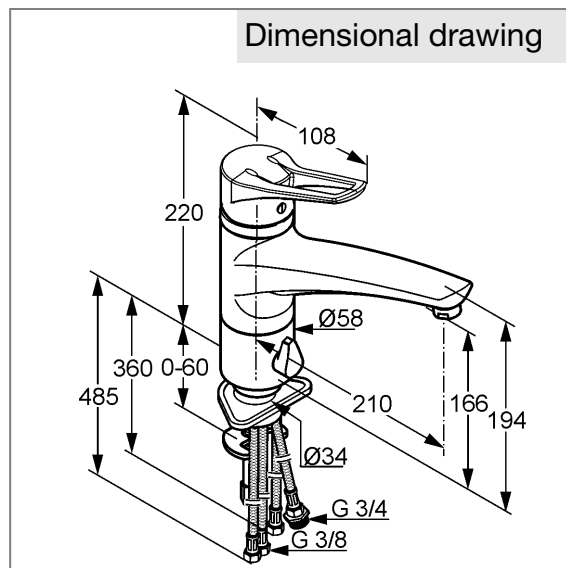
- * KLUDI GmbH & Co KG KLUDI MX Multi single lever sink mixer item no. 399070562
- ** ceramic cartridge with hot water safety device Ø 41 mm, ajar to DIN EN 817
- *** brass, DIN EN 50930-6

Multi single lever sink mixer, manufacturer KLUDI GmbH & Co KG KLUDI MIX Multi single lever sink mixer item no. 399070562, DN 10, finishes: chrome, type: single lever sink mixer DN 10, swivel spout, open ring lever, lever projection 115 mm, flow straightener M 24 x I, noise level DIN EN 4109 group I, report no. P- IX 8775 / I, flow class max. 5 l/min, nozzle projection 200 mm, rapid installation set, flexible high pressure supply tubes 3/8 inch with metal body with DVGW / KIWA / WRAS / CSTB length 485/360 mm, nozzle height 166/194 mm, ceramic cartridge with hot water safety device Ø 41 mm, one connection for washing-machine or dishwasher (flow rate 9,0 l/min at 3 bar), for borehole diameter 34 mm, overall length 220 mm, for use with displacement heaters, PN 0,

Product picture



Dimensional drawing



Flow rate diagram

