

**Product:** KLUDI ZENTA single lever basin mixer DN 10

**Ref.:** 382550575

**Product description**

single lever basin mixer DN 10  
 solid lever  
 single hole mounted  
 flow class Z  
 PCA cache aerator M 16,5 x l  
 ceramic cartridge with hot water safety device  
 pop up waste 1 1/4 inch  
 swivelling spout  
 rapid installation set  
 flexible high pressure supply tubes G 3/8  
 noise group I  
 P-IX 18635/10

Finishes:  
 05 chrome

**Advertisement**

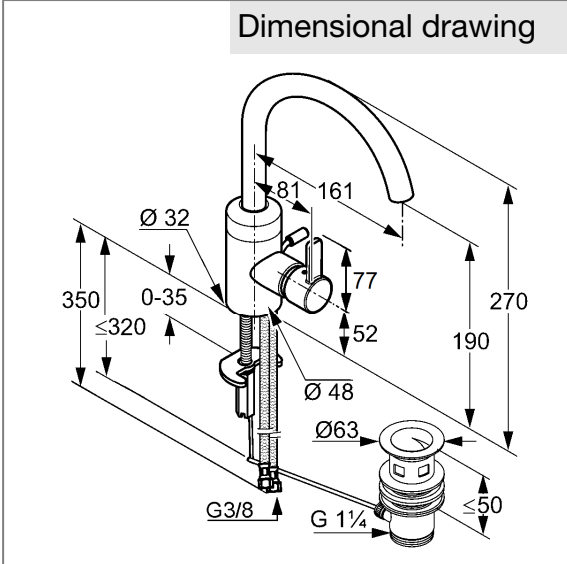
- \* KLUDI GmbH & Co. KG KLUDI ZENTA single lever basin mixer item no. 382550575
- \*\* ceramic cartridge with hot water safety device Ø 35 mm, DIN- EN 817
- \*\*\* chrome plated brass, DIN 50930-6

single lever basin mixer, KLUDI GmbH & Co. KG KLUDI ZENTA single lever basin mixer item no. 382550575, DN 10, chrome plated brass, ceramic cartridge with hot water safety device Ø 35 mm, solid lever, noise level DIN EN 4109 group I, report no. P- IX 18635/10, type: single lever basin mixer DN 10, swivel spout, flow class Z (max. 0,14 l/s), PCA Cache aerator M 16,5 X l, pop up waste 1 1/4 inch, flexible high pressure supply tubes 3/8 inch with DVGW / KIWA / WRAS / CSTB with metal body length 350 mm, nozzle projection 161 mm, nozzle height 190 mm, lever projection 77 mm, with swivel spout, rapid installation set, overall length 270 mm, for pressure type water heater, for continuous line heater, PN 10,

Product picture



Dimensional drawing



Flow rate diagram

