

Product: KLUDI ZENTA electronic controlled pillar tap DN 15

Ref.: 3810505

Product description

electronic controlled pillar tap DN 15
 with 9 V Alkaline Battery
 single hole mounted
 magnet-cartridge unit, without mixing shaft
 without control handle
 aerator M 24 x 1
 flow rate 5,8 l/min at 3 bar
 optical object-registration
 rapid installation set
 flexible high pressure supply tube 3/8 inch with integrated back
 flow preventer

Finishes:
 05 chrome

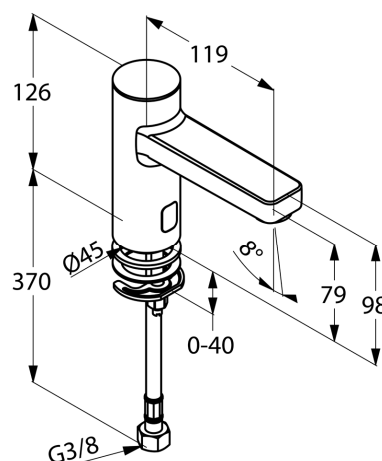
Product picture



Advertisement

Electronic controlled pillar tap, manufacturer KLUDI GmbH & Co. KG
 KLUDI ZENTA item no. 3810505
 type: electronic controlled pillar tap, DN 15 / PN 10, chrome plated brass, without
 mixing shaft, without temperature control handle, flow rate 5,8 l/min at 3 bar, activa-
 tion optoelectronic, with 9 V Alkaline Battery, usage of 6 V Lithium Battery CR-P2
 possible, battery is outside of basin mixer maintenance-friendly in an external battery
 box, safety class IP 65, max. warm water intake temperature 65 °C, with functional
 reliability magnet-cartridge unit, valve closed in rest position, maximum water run-
 time 2 minutes, flexible high pressure supply tubes with metal body 3/8 inch with
 integrated back flow preventer with DVGW / W270 approval, rapid installation set
 dimensions: height: 126 mm, nozzle height: 79 mm, projection: 119 mm
 (if static pressure greater than > 5 bar install a pressure reducer)

Dimensional drawing



Flow rate diagram

