

Product: KLUDI OBJEKTA single lever basin mixer DN 15, with pop up waste

Ref.: 320230575

Product description

single lever basin mixer DN 15
 single hole mounted
 solid lever
 lateral actuation
 ceramic cartridge
 aerator M 18 x 1
 flow rate 4,5 l/min at 3 bar
 swivel spout (360°)
 flexible high pressure supply tubes 3/8 inch
 rapid installation set
 pop up waste 1 1/4 inch

Finishes:
 05 chrome

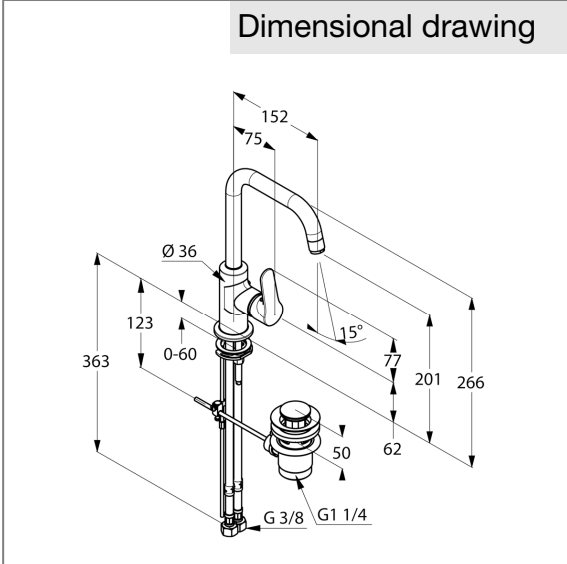
Product picture



Advertisement

single lever basin mixer, manufacturer KLUDI GmbH & Co. KG
 KLUDI OBJEKTA item no. 320230575
 type: single lever basin mixer, DN 15 / PN 10, with swivel spout (360°), chrome plated brass, with pop up waste 1 1/4 inch rod-pull and pull knob chrome plated, solid lever chrome plated metal, with lateral actuation, ceramic cartridge K-25, aerator M 18 x 1, flow rate 4,5 l/min at 3 bar, flexible high pressure supply tubes 3/8 inch with DVGW / W270 approval, rapid installation set
 dimensions: height: 266 mm, nozzle height: 201 mm, projection: 152 mm, lever projection: 75 mm

Dimensional drawing



Flow rate diagram

